



**COMMONWEALTH OF KENTUCKY  
TRANSPORTATION CABINET**

Frankfort, Kentucky 40622  
www.transportation.ky.gov/

**Matthew G. Bevin**  
Governor

**Greg Thomas**  
Secretary

January 18, 2018

CALL NO. 410  
CONTRACT ID NO. 182601  
ADDENDUM # 1

Subject: HARDIN - BRECKINRIDGE - LARUE COUNTIES, 121GR18M016-FE02  
Letting January 26, 2018

(1)Added- Detailed Drawings- Pages 1-2 of 2

Proposal revisions are available at <http://transportation.ky.gov/Construction-Procurement/>.

If you have any questions, please contact us at 502-564-3500.

Sincerely,

A handwritten signature in black ink that reads "Rachel Mills".

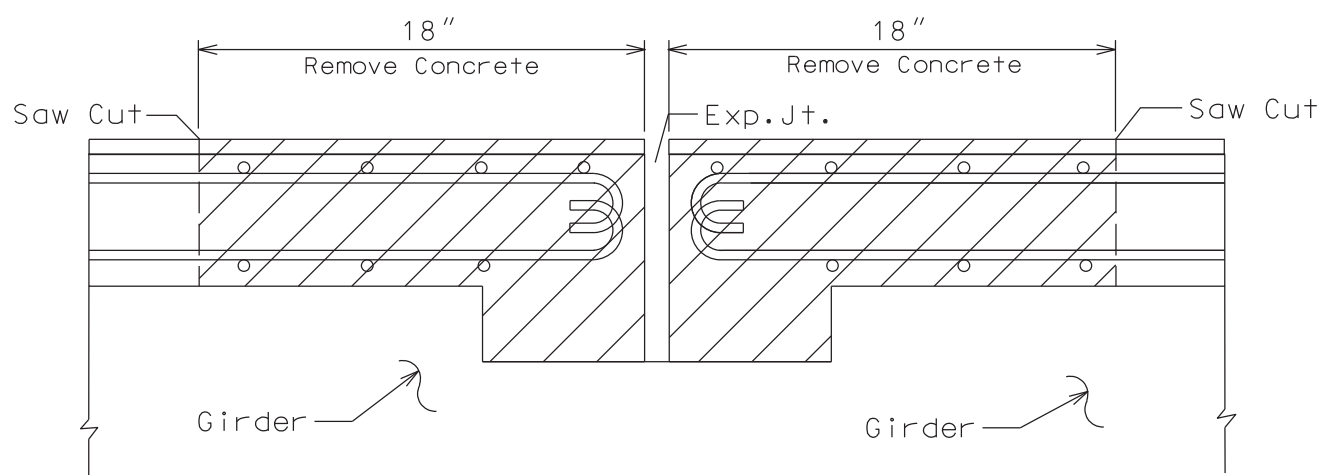
Rachel Mills, P.E.  
Director  
Division of Construction Procurement

RM:mr  
Enclosures



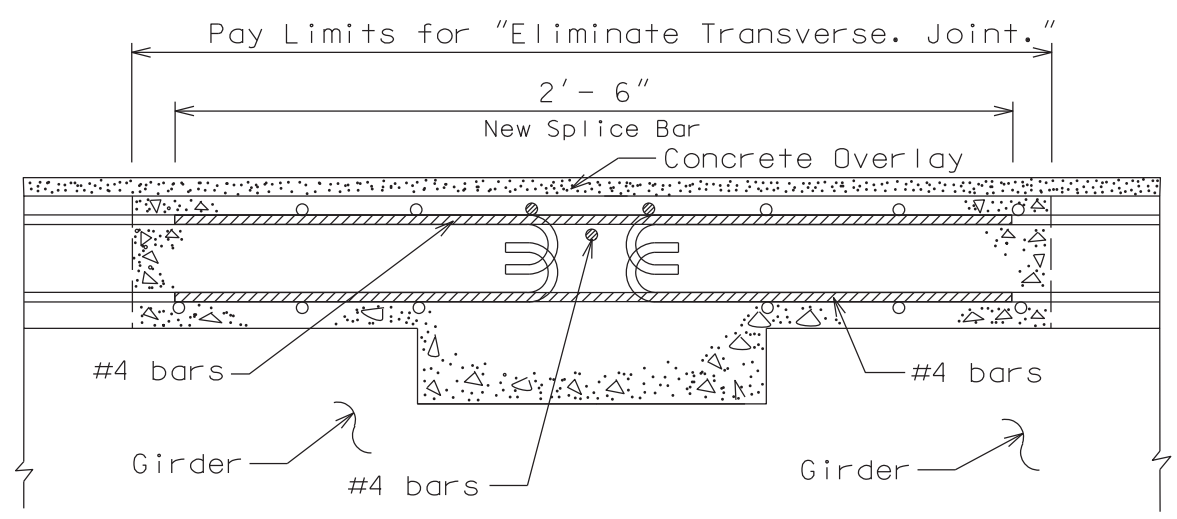
An Equal Opportunity Employer M/F/D

# ELIMINATE TRANSVERSE JOINT DETAIL



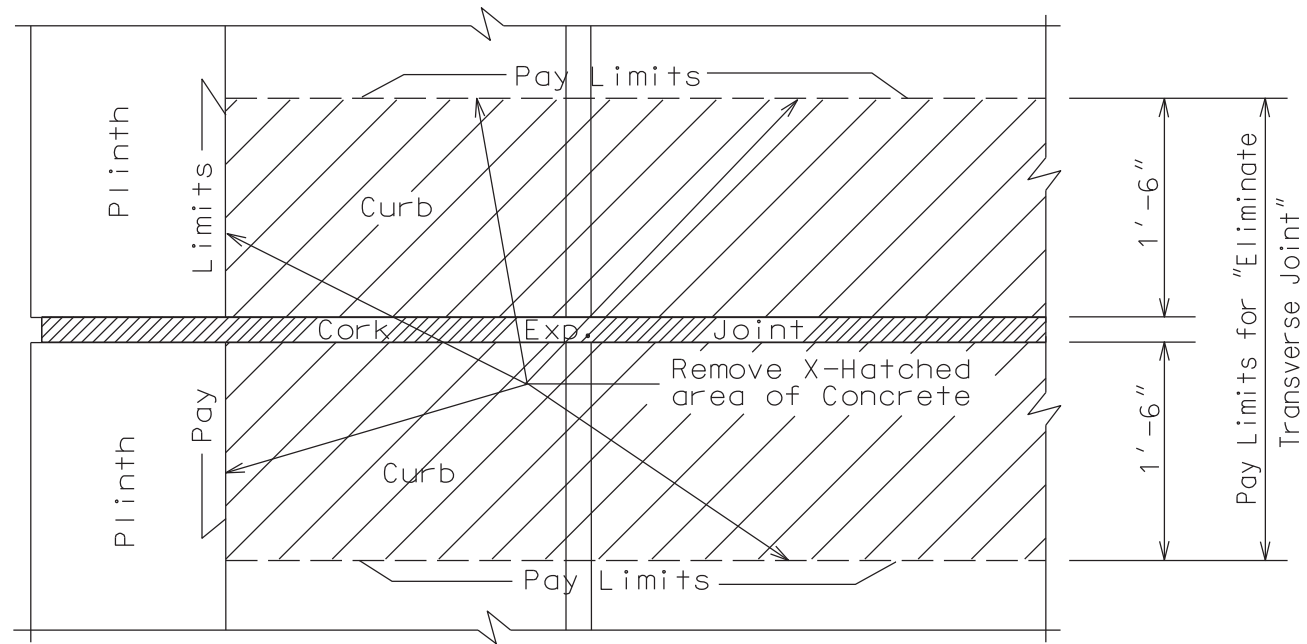
NOTE: Do not disturb existing Steel Reinforcement

# EXISTING SECTION @ Transverse Joint

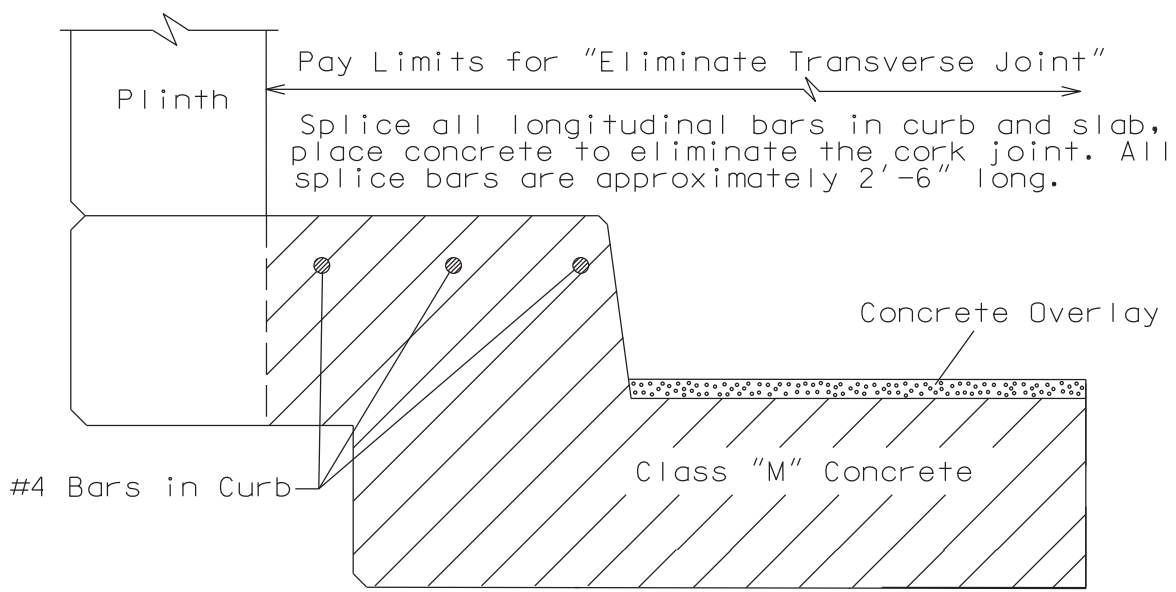


# PROPOSED SECTION @ Transverse Joint

# ELIMINATE TRANSVERSE JOINT DETAIL



## EXISTING PLAN VIEW @ CURB



## PROPOSED SECTION @ CURB